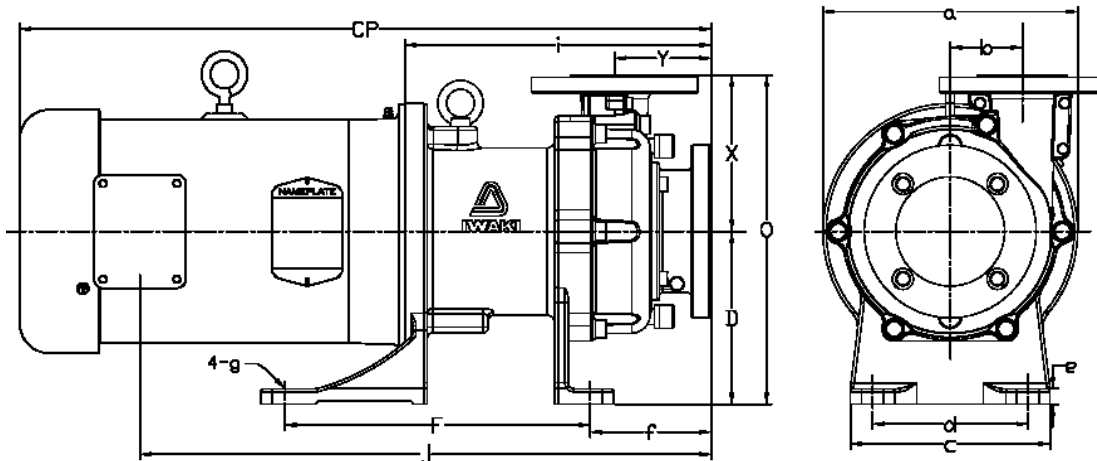


## MXM Dimensions and Weights



Dimensions in inches (mm)

| Model   | a              | b             | c              | d              | D              | e              | f              | F               | g              | i               | J               | O               | X              | Y             | CP*             |
|---------|----------------|---------------|----------------|----------------|----------------|----------------|----------------|-----------------|----------------|-----------------|-----------------|-----------------|----------------|---------------|-----------------|
| MXM-542 |                |               |                |                |                |                |                |                 |                | 11.5<br>(292.1) |                 |                 |                |               | 21.9<br>(556.2) |
| MXM-543 | 9.9<br>(251.4) | 2.6<br>(66.0) | 7.1<br>(180.3) | 5.5<br>(139.7) | 6.1<br>(154.9) | 0.55<br>(14.0) | 4.2<br>(106.6) | 10.8<br>(274.3) | 0.55<br>(14.0) | 10.9<br>(276.9) | 18.5<br>(469.9) | 11.6<br>(294.6) | 5.5<br>(139.7) | 3.4<br>(86.4) | 24.7<br>(627.3) |
| MXM-545 |                |               |                |                |                |                |                |                 |                | 10.9<br>(276.9) |                 |                 |                |               | 24.7<br>(627.3) |

| Model   | Suct x Disch | Minimum Flow (GPM) | Max Head (ft) | Maximum Capacity (GPM) | Motor /Frame | Pump Weight (lbs) |
|---------|--------------|--------------------|---------------|------------------------|--------------|-------------------|
| MXM-542 | 2.0" x 1.5"  | 5.5                | 98            | 95                     | 2 HP / 145TC | 55                |
| MXM-543 |              | 5.5                | 128           | 95                     | 3 HP / 182TC | 55                |
| MXM-545 |              | 13.2               | 146           | 165                    | 5 HP / 184TC | 66                |

\* Varies according to motor manufacturer.