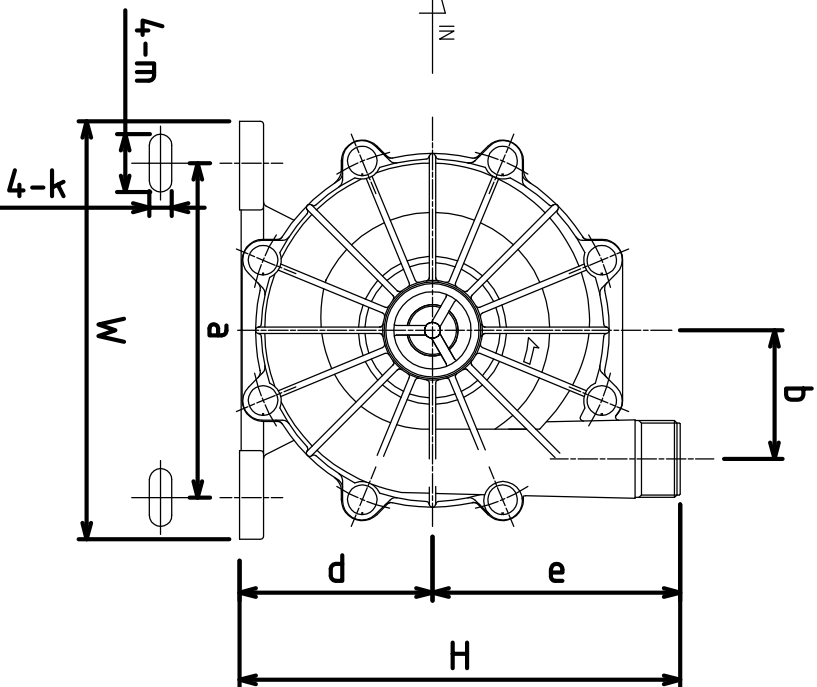
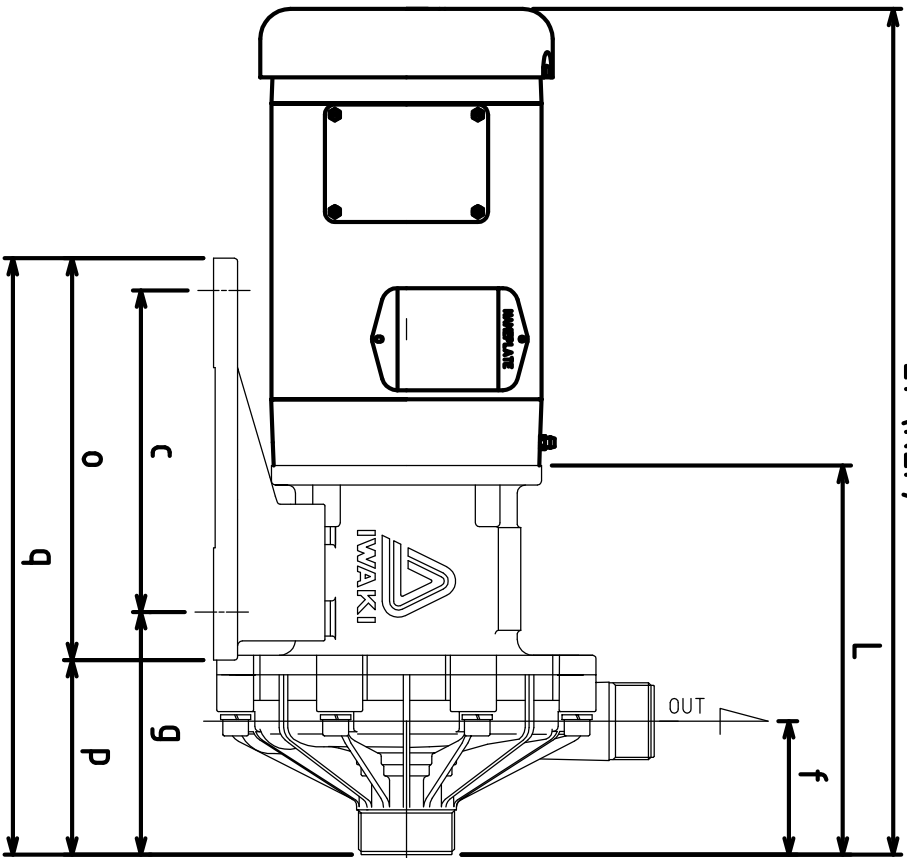


Lt (REF)



- NOTES:
- 1) SHAPE OF PRODUCT ON DRAWING MAY DIFFER FROM ACTUAL PRODUCT ON SOME POINTS.
 - 2) SOME DIMENSIONS MAY VARY.
 - 3) FLANGES AVAILABLE UPON REQUEST.
 - 4) PUMP DRAWN FROM 22B402551.

MODEL	SUCTION	DISCHARGE
MX-(F)402/3(H)	2" MNPT	1.5" MNPT

MODEL	HP/FRAME	W	H	L	Lt (2 HP)	Lt (3 HP)
MX-(F)402/3(H)	2, 3/145TC	10.24	10.78	9.53	20.71	21.59

MODEL	a	b	c	d	e	f	g	k	m	o	p	q
MX-(F)402/3(H)	8.19	3.15	7.87	4.72	6.06	3.27	5.94	.47	1.42	9.84	4.76	14.61

PART OR DRAWING NO.
IF20501

REV. A

ECON#	DESCRIPTION	DATE	REV. LTR.
			MX-(F)402/3, 1

MATERIAL	DESCRIPTION	DATE	REV. LTR.
GFRPP (CFR17FE)			MX-(F)402/3, 1

CJC	DAY	MO.	YR.	RELEASED	SHEET NO.
15	12	03			



Iwaki America Corp.
5 Boynton Rd.
Hopping Brook Park
Holliston, MA 01746
www.IwakiAmerica.com (508)429-1440

TITLE
MX-(F)402/3, 1
2, 3 HP / 145TC FRAME

REV. A

PART OR DWG. NO.