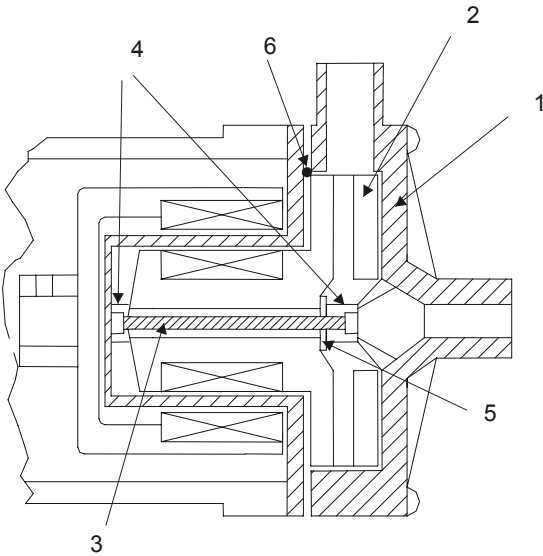


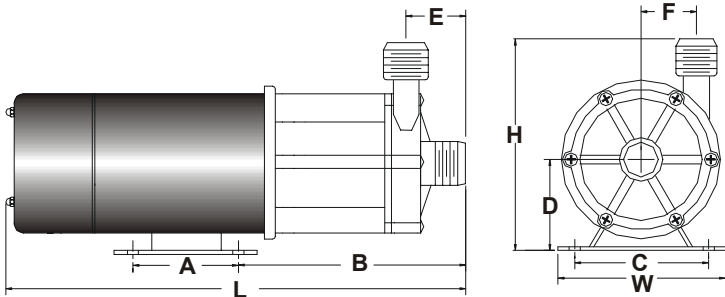
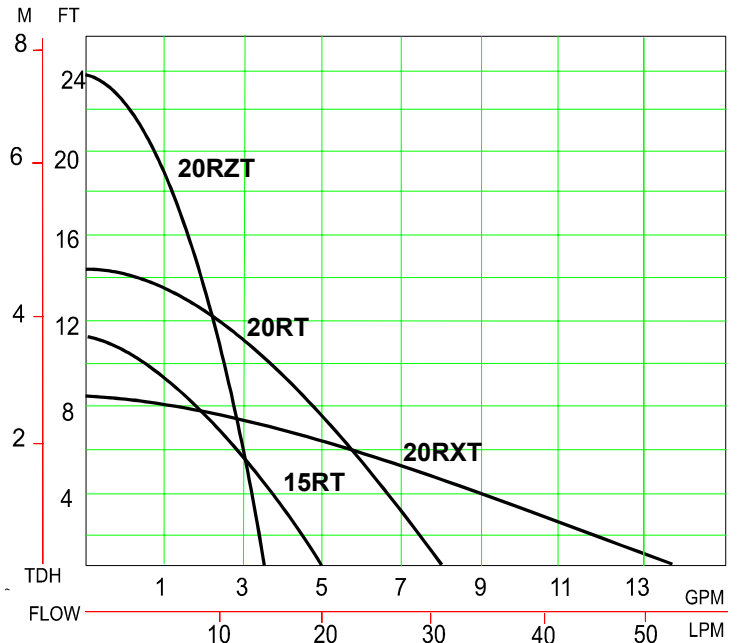


# WMD-15/20

- Twin bearing system handles thrust loads, extends service life
- Hollow rotating spindle/internal cooling circuit reduces bearing temperature
- Compact design
- Quiet energy efficient design
- Other sizes, voltages and material available
- Few moving parts for easy maintenance



Part	Material
1 Casing	GFRPP
2 Impeller	GFRPP
3 Spindle	Ceramic
4 Bearing	PTFE
5 Thrust Ring	Ceramic or PE
6 O-ring	FKM (fluoroelastomer) or EPDM



## Dimensions (inches) and Specifications

+Degrees offset from vertical

Model	W	H	L	A	B	C	D	E	F
WMD-15R(T)	3.50	4.26	9.46	2.37	4.15	2.50	1.94	1.52	0.85
WMD-20R(T)	3.50	4.35	9.70	2.37	4.39	2.50	1.94	1.30	1.12
WMD-20RX(T)	3.50	4.95	10.37	2.37	5.06	2.50	1.94	1.83	40+
WMD-20RZ(T)	3.50	4.70	9.98	2.37	4.67	2.50	1.94	1.56	1.52

Model	Connections		Motor		Amps 115V	Max Flow (gpm)	Max Head (ft)	Max Sys Pressure (PSI)	Specific Gravity	Wgt (lbs)
	Hose	NPTM	Output	Speed						
WMD-15R(T)	1/2	1/2	1/75	3100	.82	5.0	11.1	7.20	1.3	6
WMD-20R(T)	5/8	3/4	1/38	3100	.48	8.2	14.1	9.95	1.1	7
WMD-20RX(T)	1	1	1/38	3100	.50	13.7	8.2	5.69	1.3	7
WMD-20RZ(T)	5/8	3/4	1/38	3100	.53	2.9	22.6	14.20	1.1	7