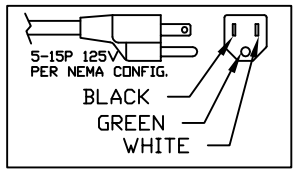
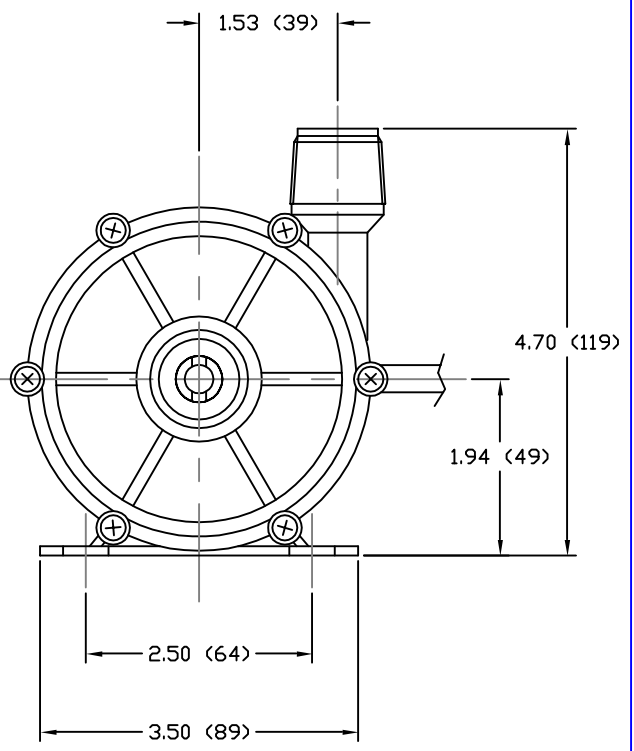
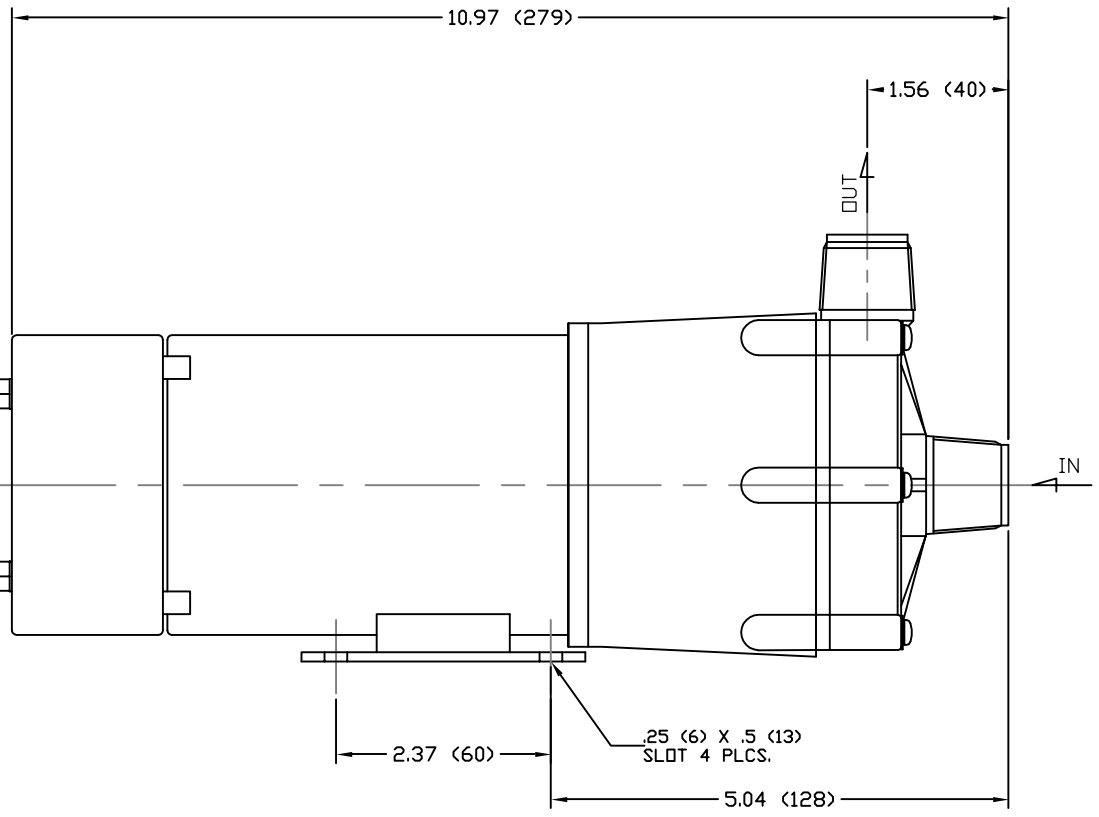


1 2 3 4 5 6 7 8 9 10 11 12 13 14 15 16 17 18 19 20 21 22 23 24 25

PART OR DRAWING NO. IF20602 REV. A

A B C D E F G H I J K L M N O P Q R S



- NOTES:
 1. DRAWING MAY VARY FROM ACTUAL PRODUCT.
 2. DRAWN TO SCALE PER 2Z000411.
 3. REFER TO DRAWING 54210 & 54221.
 4. DIMENSIONS ARE IN INCHES (MM)

MATERIALS

CASING	GFRPP
IMPELLER	GFRPP
SPINDLE	ALUMINA CERAMIC
BEARING	PTFE
THRUST RING	ALUMINA CERAMIC
O-RING	FKM

SPECIFICATIONS

MAX CAPACITY	4.5 GPM (17 LPM)
MAX HEAD	36.1 FT (11 M)
MAWP	24.18 PSI (.17 MPA)
VOLTAGE	115 VAC
CURRENT	1.0 A
CORD LENGTH	72 IN ± 2 IN (1.83 M ± .05 M)
WEIGHT	9 LBS (4.08 KG)
SUCTION	3/4 IN NPT - MALE
DISCHARGE	3/4 IN NPT - MALE

ECO#	DESCRIPTION	DATE	REV. LTR.
MATERIAL SEE CHART			
GJS	06 04 05	XXX	1
DRAWN	DAY MO. YR.	RELEASED	SHEET NO.
		5 Boynton Rd. Hopping Brook Park Holliston, MA 01746 (508) 429-1440 www.IwakiAmerica.com	
TITLE			
MAG DRIVE PUMP			
WMD-30RLZT (115V)			

PART OR DWG. NO. IF20602 REV. A