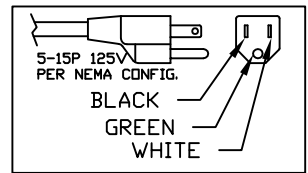
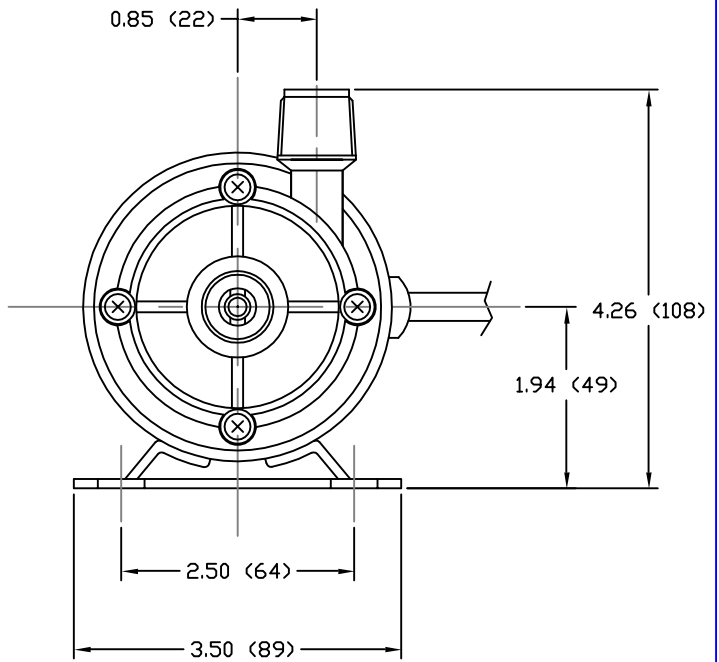
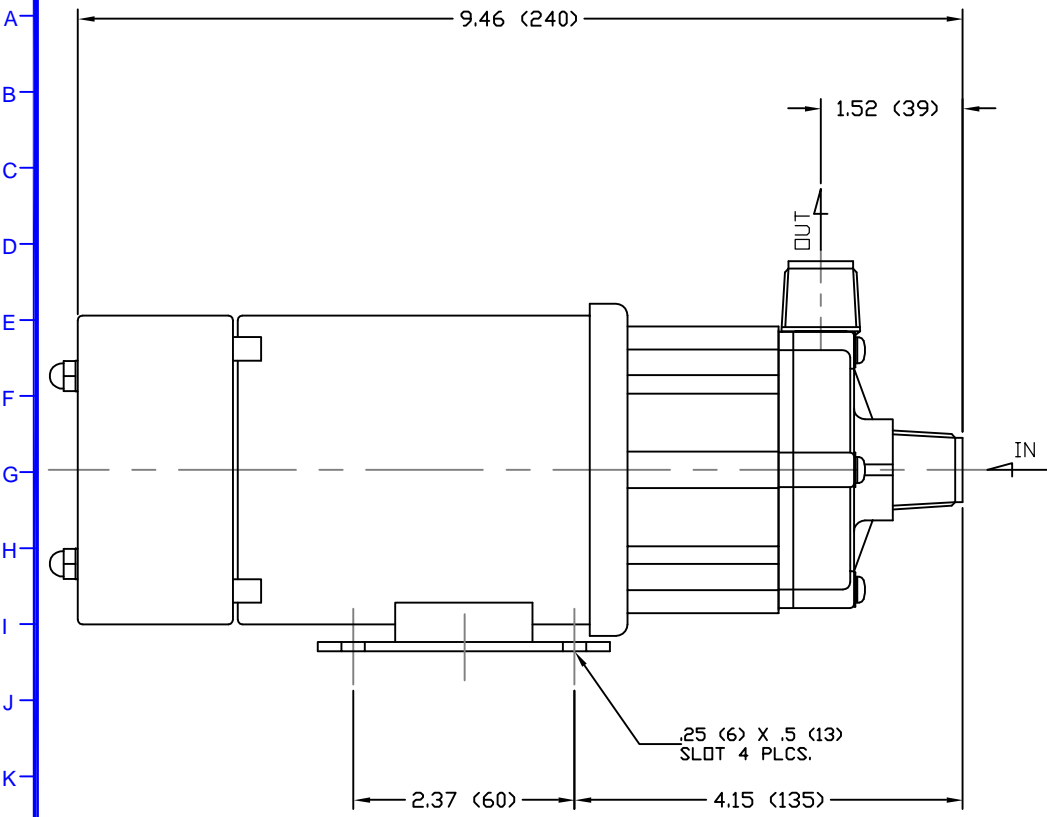


1 2 3 4 5 6 7 8 9 10 11 12 13 14 15 16 17 18 19 20 21 22 23 24 25

PART OR DRAWING NO. IF20596 REV. A



- NOTES:
 1. DRAWING MAY VARY FROM ACTUAL PRODUCT.
 2. DRAWN TO SCALE PER 2Z000400.
 3. REFER TO DRAWING 54206 & 54217.
 4. DIMENSIONS ARE IN INCHES (MM).

MATERIALS	
CASING	GFRPP
IMPELLER	GFRPP
SPINDLE	ALUMINA CERAMIC
BEARING	PTFE
THRUST RING	ALUMINA CERAMIC
O-RING	FKM

SPECIFICATIONS	
MAX CAPACITY	5 GPM (18.9 LPM)
MAX HEAD	11.1 FT (3.38 M)
MAWP	7.2 PSI (0.05 MPA)
VOLTAGE	115 VAC
CURRENT	.82 A
CORD LENGTH	72 IN ± 2 IN (1.83 M ± .05 M)
WEIGHT	6 LBS (2.3 KG)
SUCTION	1/2 IN NPT - MALE
DISCHARGE	1/2 IN NPT - MALE

ECO#	DESCRIPTION	DATE	REV. LTR.
MATERIAL SEE CHART			
GJS	04 04 05	XXX	1
DRAWN	DAY MO. YR.	RELEASED	SHEET NO.
		5 Boynton Rd. Hopping Brook Park Holliston, MA 01746 (508) 429-1440 www.IwakiAmerica.com	
TITLE			IF20596
MAG DRIVE PUMP WMD-15RT (115V)			
			REV. A

PART OR DWG. NO.

REV.