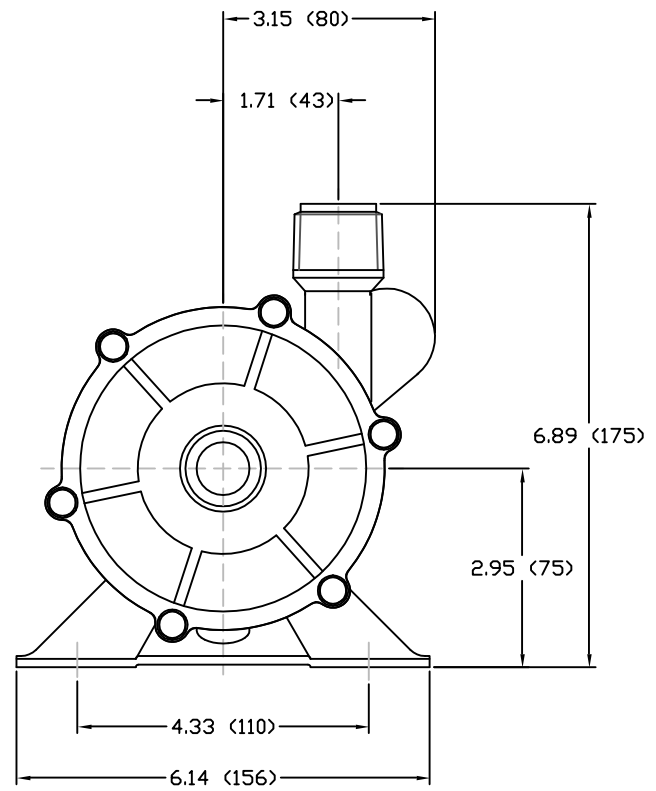
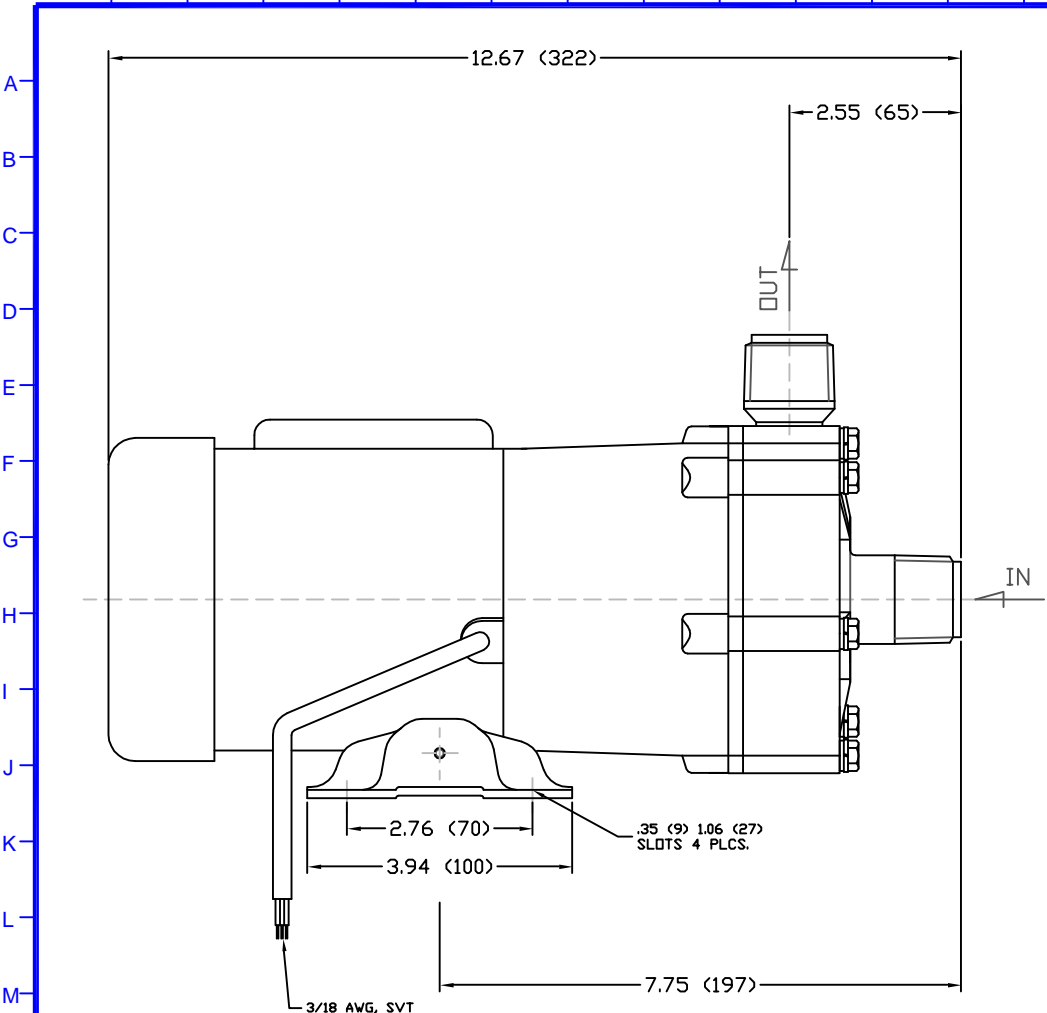


1 2 3 4 5 6 7 8 9 10 11 12 13 14 15 16 17 18 19 20 21 22 23 24 25

PART OR DRAWING NO. IF20580 REV. A



- NOTES:  
 1. DRAWING MAY VARY FROM ACTUAL PRODUCT  
 2. DRAWN FROM 2Z000423 TO SCALE.  
 3. REFER TO SPECIFICATION 2H178.  
 4. DIMENSIONS ARE IN INCHES (MM).

SPECIFICATIONS

MAX CAPACITY	35.7 GPM (135 LPM)
MAX HEAD	37.7 FT (11.5 M)
MAWP	31.2 PSI (0.22 MPA)
VOLTAGE	115 VAC
CURRENT	3.4 A
CORD LENGTH	39.4 IN (1 M)
WEIGHT	18.7 LBS (8.5 KG)
SUCTION	1 IN NPT - MALE
DISCHARGE	1 IN NPT - MALE

MATERIALS

CASING	CFRETFE
IMPELLER	CFRETFE
SPINDLE	SIC
BEARING	SIC
THRUST RING	SIC
O-RING	FKM-A

ECO#	DESCRIPTION	DATE	REV. LTR.
------	-------------	------	-----------

MATERIAL SEE CHART

GJS	04	03	05	XXX	1
DRAWN	DAY	MO.	YR.	RELEASED	SHEET NO.



5 Boynton Rd.  
 Hopping Brook Park  
 Holliston, MA 01746  
 (508) 429-1440

TITLE MAG DRIVE PUMP MD-100LFY (115V)

PART OR DWG. NO. IF20580

REV. A