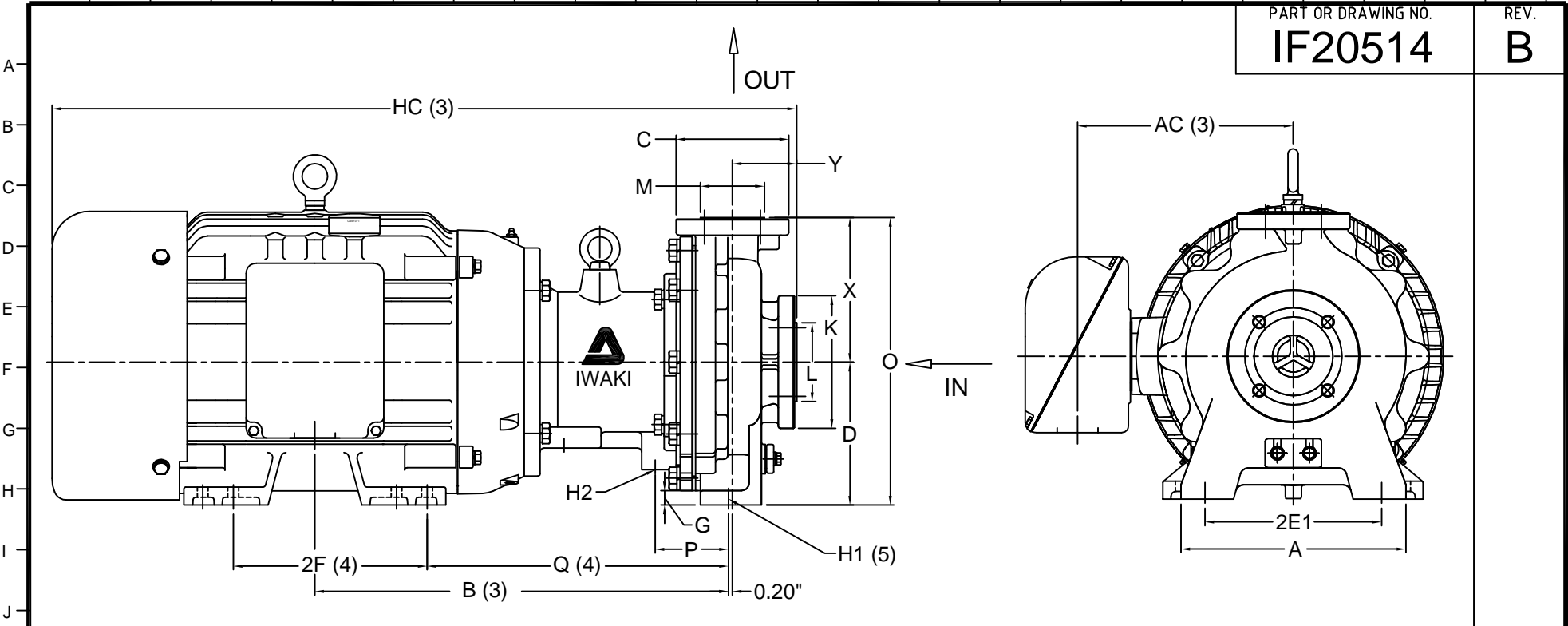


1 2 3 4 5 6 7 8 9 10 11 12 13 14 15 16 17 18 19 20 21 22 23 24 25

PART OR DRAWING NO. **IF20514** REV. **B**



PUMP DIMENSIONS (1)															
A	AC (3)	B (3)	D	2E1	2F (4)	G	H1 (5)	H2	H3 (4)	HC (3)	O	P	Q (4)	X	Y
11.02"	10.56"	20.27"	7.00"	8.66"	9.50"/11.00"	0.70"	0.55"	3/8"-16 UNC	0.52"	36.50"	14.09"	3.58"	14.77"	7.09"	3.15"

MODEL	HP/ FRAME	PUMP FLANGES (2)		DIMENSIONS			
		SUCTION	DISCHARGE	K	L	C	M
MDM-2158	25/284TSC	2"	1 1/2"	6.50"	3.86"	5.51"	3.15"

ECO#	DESCRIPTION	DATE	REV. LTR.
10622	CENTERLINE HEIGHT CHANGED TO 7.00"	9/7/04	B
PUMP WEIGHT	WET-END/BEARING MATERIALS		
165 LB	CFRETFE OR PFA W/SIC		
EDT	12 07 04	CJC	1
DRAWN	DAY	MO.	YR.
	RELEASED	SHEET NO.	

NOTES AND REFERENCES:

- (1) ALL DIMENSIONS IN INCHES. ALL TOLERANCES $\pm .125"$, CONSULT IWAKI AMERICA FOR MORE DETAILS.
- (2) BOLT HOLE LOCATIONS OF SUCTION AND DISCHARGE FLANGES CONFORM TO ANSI B16.5 150 LB STANDARD. THE 1.5" AND 2" FLANGE BOLT HOLES HAVE 1/2" -13 AND 5/8" -11 UNC THREADS RESPECTIVLY.
- (3) DIMENSION MAY VARY BASED ON MOTOR MANUFACTURER.
- (4) NEMA MG 1-1993, PART 4 USED FOR REFERENCE.
- (5) SLOTS ARE OPEN ENDED TO REAR OF FRAME.
- 6 DRAWN PER 52B402902 (MDM2158_KKF25A-_2)

TITLE **MDM-2158 (25 HP)**
Dimensional Drawing

PART OR DWG. NO. **IF20514** REV. **B**