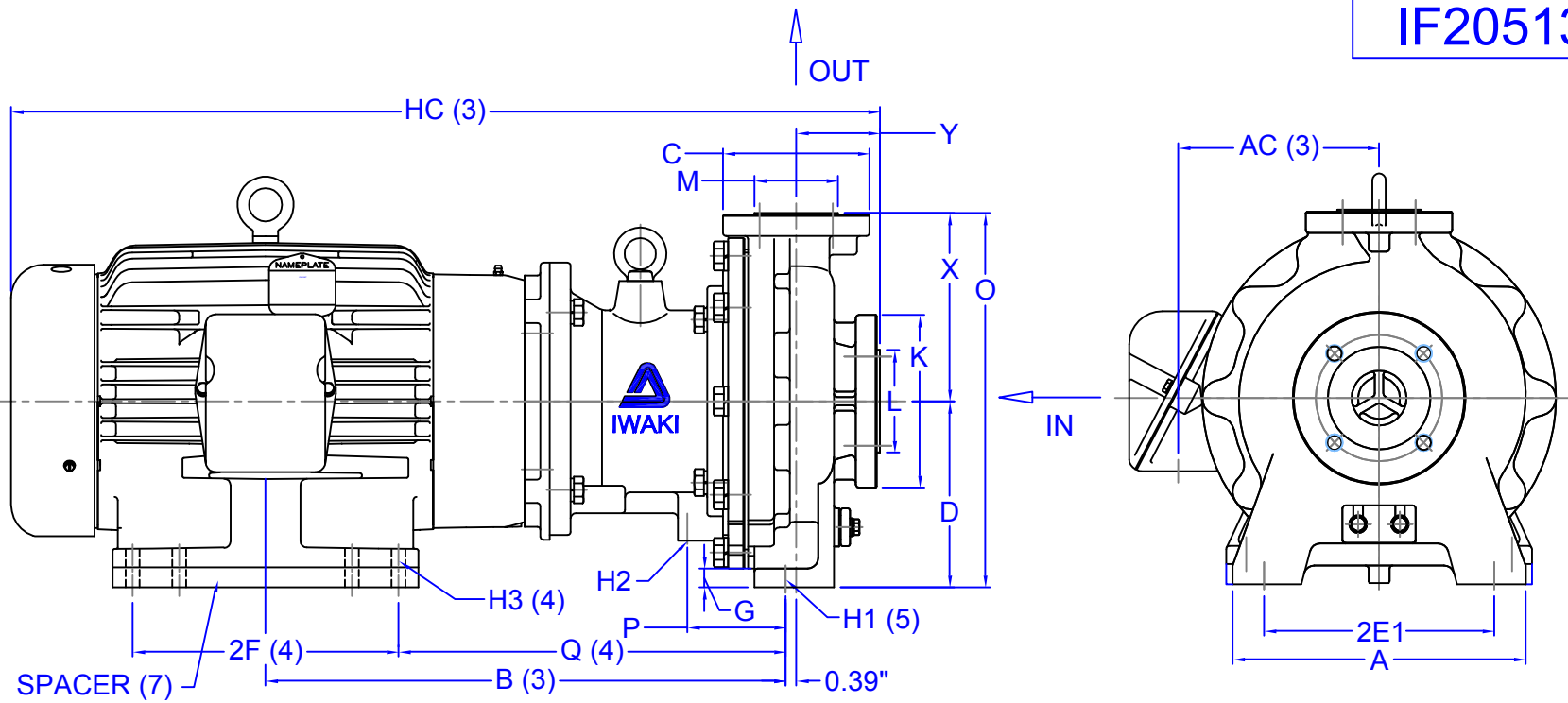


1 2 3 4 5 6 7 8 9 10 11 12 13 14 15 16 17 18 19 20 21 22 23 24 25

PART OR DRAWING NO. **IF20513** REV. **C**

A
B
C
D
E
F
G
H
I
J
K
L
M
N
O
P
Q
R
S



| PUMP DIMENSIONS (1) | | | | | | | | | | | | | | | |
|---------------------|--------|--------|-------|-------|--------------|-------|--------|-------------|--------|--------|--------|-------|--------|-------|-------|
| A | AC (3) | B (3) | D | 2E1 | 2F (4) | G | H1 (5) | H2 | H3 (4) | HC (3) | O | P | Q (4) | X | Y |
| 11.02" | 7.56" | 19.57" | 7.00" | 8.66" | 8.25"/10.00" | 0.70" | 0.55" | 3/8"-16 UNC | 0.52" | 32.67" | 14.09" | 3.70" | 14.57" | 7.09" | 3.15" |

| MODEL | HP/ FRAME | PUMP FLANGES (2) | | DIMENSIONS | | | |
|----------|-----------|------------------|-----------|------------|-------|-------|-------|
| | | SUCTION | DISCHARGE | K | L | C | M |
| MDM-2158 | 15/254TC | 2" | 1.5" | 6.50" | 3.86" | 5.51" | 3.15" |
| | 20/256TC | | | | | | |

10630 2F DIM. CHANGED TO 10.00" 5/3/05
10622 CENTERLINE HEIGHT CHANGED TO 7.00" 9/7/04

C
B

| ECO# | DESCRIPTION | | | | DATE | REV. LTR. |
|-------|--------------------|-----|-----|----------|--|-----------|
| | PUMP WEIGHT 165 LB | | | | WET-END/BEARING MATERIALS CFRETFE OR PFA W/SIC | |
| EDT | 12 | 07 | 04 | CJC | 1 | |
| DRAWN | DAY | MO. | YR. | RELEASED | SHEET NO. | |

NOTES AND REFERENCES:

- (1) ALL DIMENSIONS IN INCHES. ALL TOLERANCES ±.125", CONSULT IWAKI AMERICA FOR MORE DETAILS.
- (2) BOLT HOLE LOCATIONS OF SUCTION AND DISCHARGE FLANGES CONFORM TO ANSI B16.5 150 LB STANDARD. THE 1.5" AND 2" FLANGE BOLT HOLES HAVE 1/2" -13 AND 5/8"-11 UNC THREADS RESPECTIVLY.
- (3) DIMENSION MAY VARY BASED ON MOTOR MANUFACTURER.
- (4) NEMA MG 1-1993, PART 4 USED FOR REFERENCE.
- (5) SLOTS ARE OPEN ENDED TO REAR OF FRAME.
- (6) DRAWN PER 52B402901 (MDM2158_KKF15/20A-_2)
- (7) SPACER MDM8005, 0.75" HEIGHT WITH 1/2" THROUGH HOLES.

IWAKI AMERICA
www.IwakiAmerica.com

5 Boynton Rd.
Hopping Brook Park
Holliston, MA 01746
(508) 429-1440

TITLE **MDM-2158 (15 & 20 HP)**
Dimensional Drawing

REV. **C**

PART OR DWG. NO. **IF20513**