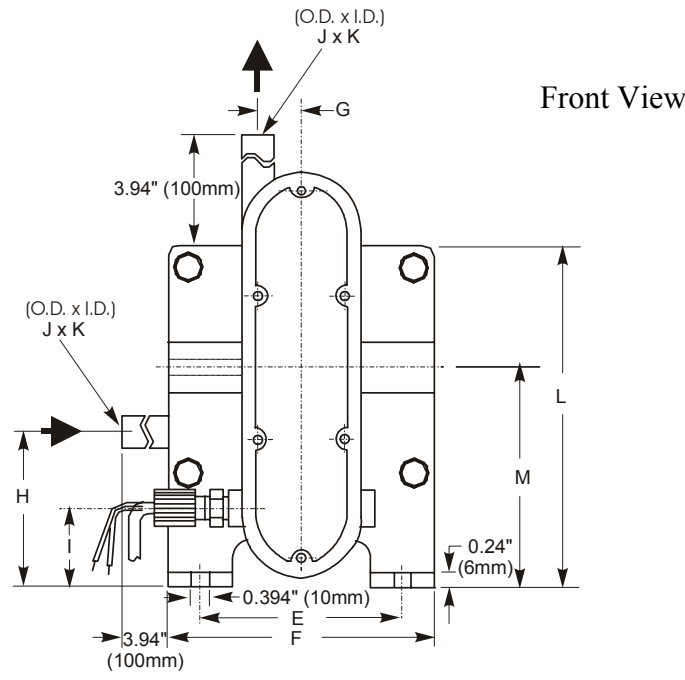
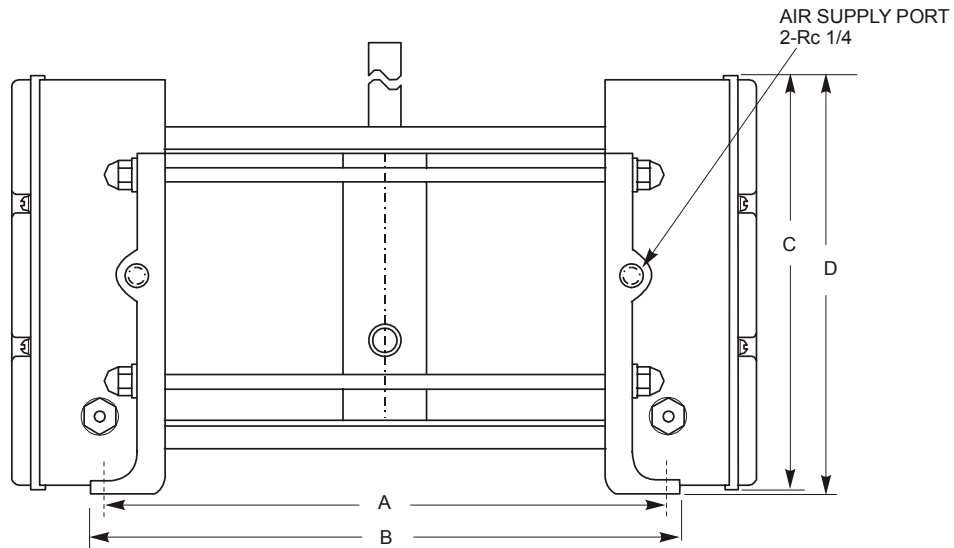




### FF-10/20H Pump Dimensions/Mass

FF-10H Mass: 16.5 lbs (7.5 kg)

FF-20H Mass: 25.4 lbs (11.5 kg)



#### Dimensions in inches (mm)

	A	B	C	D	E	F	G	H	I	J x K	L	M
FF-10H	10.47 (266)	14.20 (361)	7.40 (188)	7.52 (191)	3.31 (84)	4.49 (114)	0.57 (14.4)	3.23 (82)	1.26 (32)	0.5 x 0.37 (12.7 x 9.4)	6.06 (154)	3.82 (97)
FF-20H	11.34 (288)	15.75 (400)	8.58 (218)	8.70 (221)	4.13 (105)	5.51 (140)	0.93 (24)	3.15 (80)	1.38 (35)	0.75 x 0.62 (19 x 15.7)	7.17 (182)	4.41 (112)

FF-40H Pump Dimensions/Mass  
 FF-40H Mass: 52.9 lbs (24 kg)

