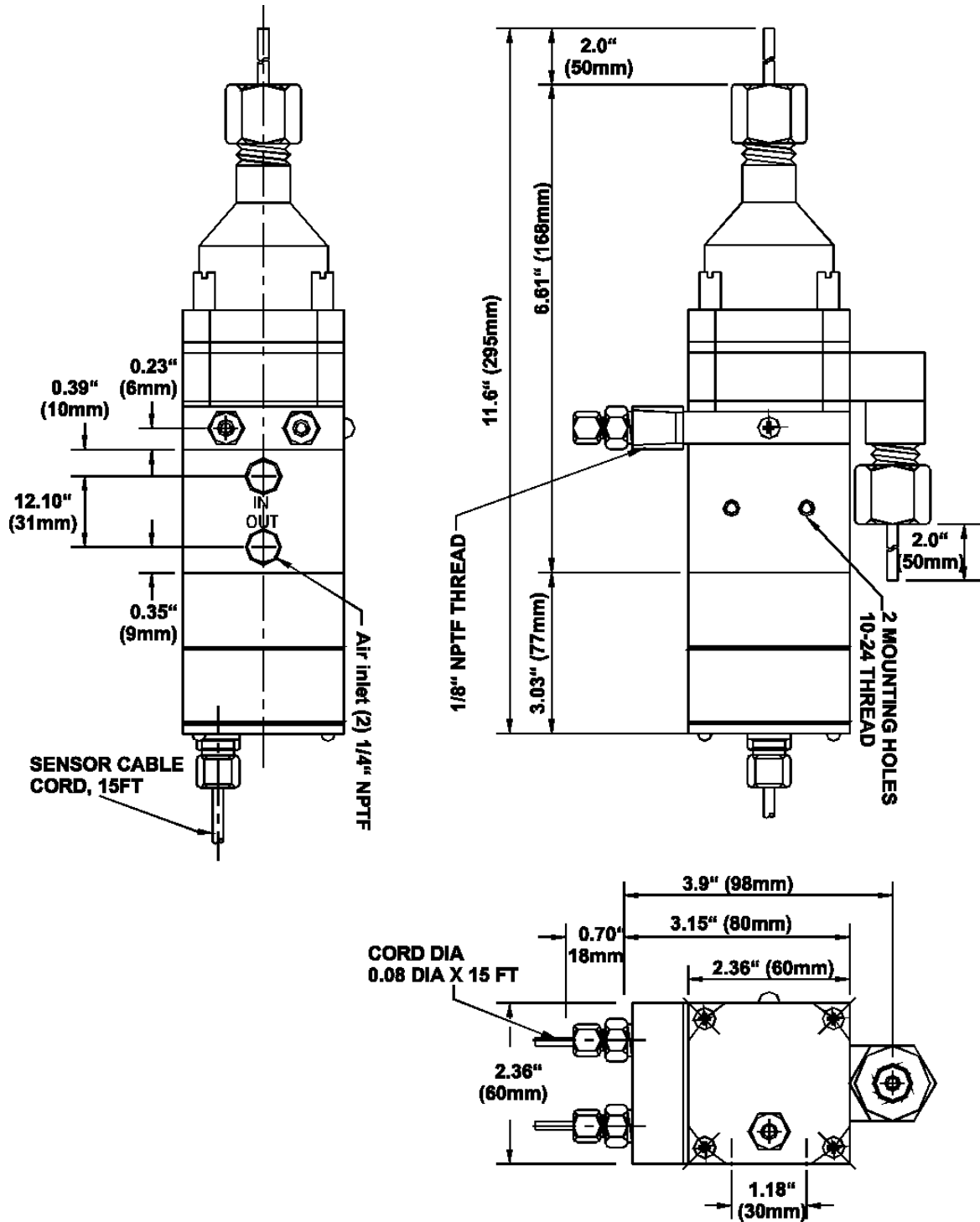




CFD Dimensions

CFD-8T-B-W03



CFD-8T

