

Standard Product Capabilities

Pump solutions from a World Leader



EH-FF Series

Electronic metering pump

EH-FF Series Electronic Metering Pumps are powered by advanced microprocessor-based electronics and superior mechanical design. The pumps come equipped with digital speed control, programmable 4-20mA input, pulse input with multiply and divide features and external stop/start functions. Additionally, a 12VDC power supply output is provided to power devices such as a flow meter. The turndown ratio of the EHC35FF is 900:1, while the EHE55FF increases to 1800:1. **2 year warranty with no maintenance!**

High purity materials

The entire wet end of the pump is constructed of PTFE and PFA materials.

Tube connections

Standard 12 mm pump tube connections offer maximum installation flexibility.

High speed operation

Speeds up to 360 strokes per minute result in high resolution chemical feed, increased accuracy and elimination of slug-feed effects.

Modular components

The liquid end, drive and electronics are modular, enabling remote mounting of the electronics from the drive and economical repair/replacement of parts.

Compact size

Ideal for OEM specifications, EH-FF pumps are small, quiet and lightweight.

Long lasting diaphragm

PTFE laminate over EPDM is molded onto a solid core. High pump speed and minimized diaphragm movement contribute to less stress and long life.



Think twice. Spec Once.

Control Module Features

Microprocessor-Based Circuitry

Allows operator adjustment of pump speed and external input settings via 4-button keypad.

External Digital Input Mode - Pulse Multiply

Often used in flow proportional systems, such as flowmeter contactor or batch feed applications. One input pulse can produce 1 to 999 pump strokes.

External Digital Input Mode - Pulse Divide

The pump can be set to divide (accumulate) pulses by a factor of 1 to 999.

External Control Analog

Programmable 4-20 mA input allows for user defined speed control band; user sets two setpoints each corresponding to a mA setting and pump speed.

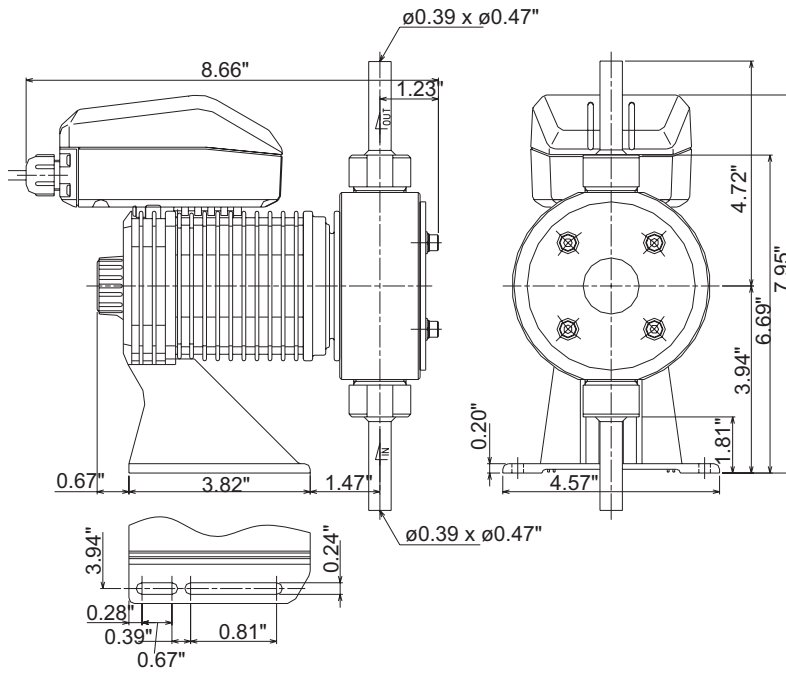




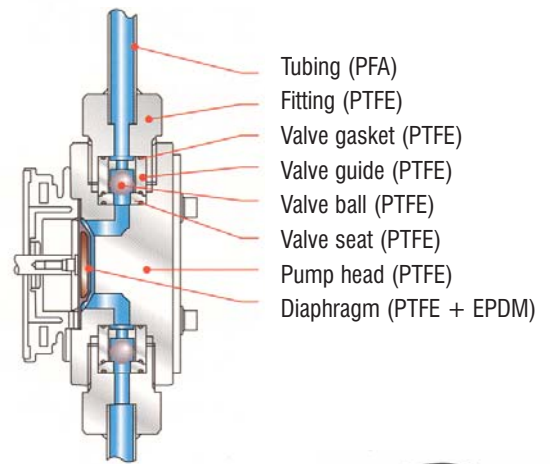
Specifications

Size	Maximum Output Capacity		Output per Stroke mL		Maximum Pressure		Connection Size I.D x O.D.
	mL/min	GPH	Minimum	Maximum	PSI	MPa	Tube mm
35	420	6.7	0.46	1.16	30	0.2	10 x 12
55	1250	19.9	0.69	3.47	30	0.2	

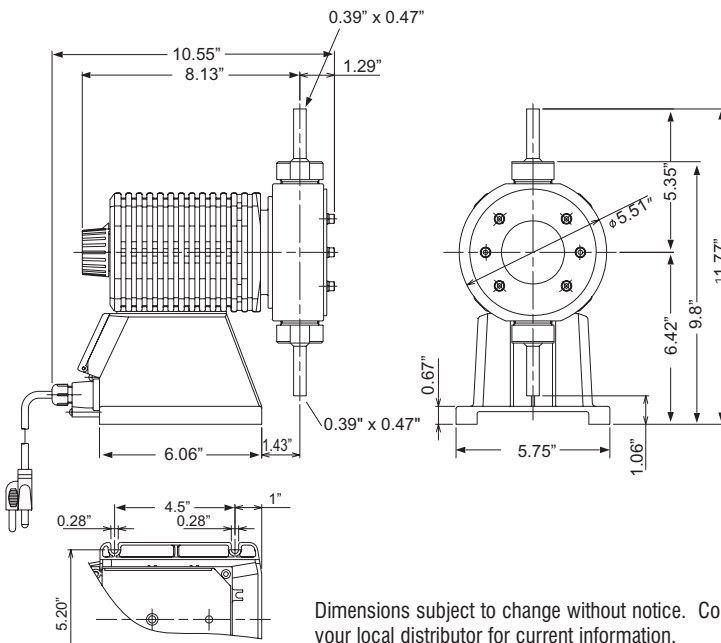
EHC35 Dimensions



Materials of Construction



EHE55 Dimensions



Dimensions subject to change without notice. Consult your local distributor for current information.

Remote cable assembly

The EH Series pumps are the only electronic metering pumps on the market with the unique ability to mount the electronic control module remotely from the pump.



Back pressure valves

Diaphragm back pressure valves are designed to enhance the performance of chemical feed systems by applying a continuous back pressure to the chemical feed pump, while also acting as an anti-syphon valve. Materials of construction include PTFE body with PTFE laminated EPDM diaphragm. Contact your distributor for more information.

